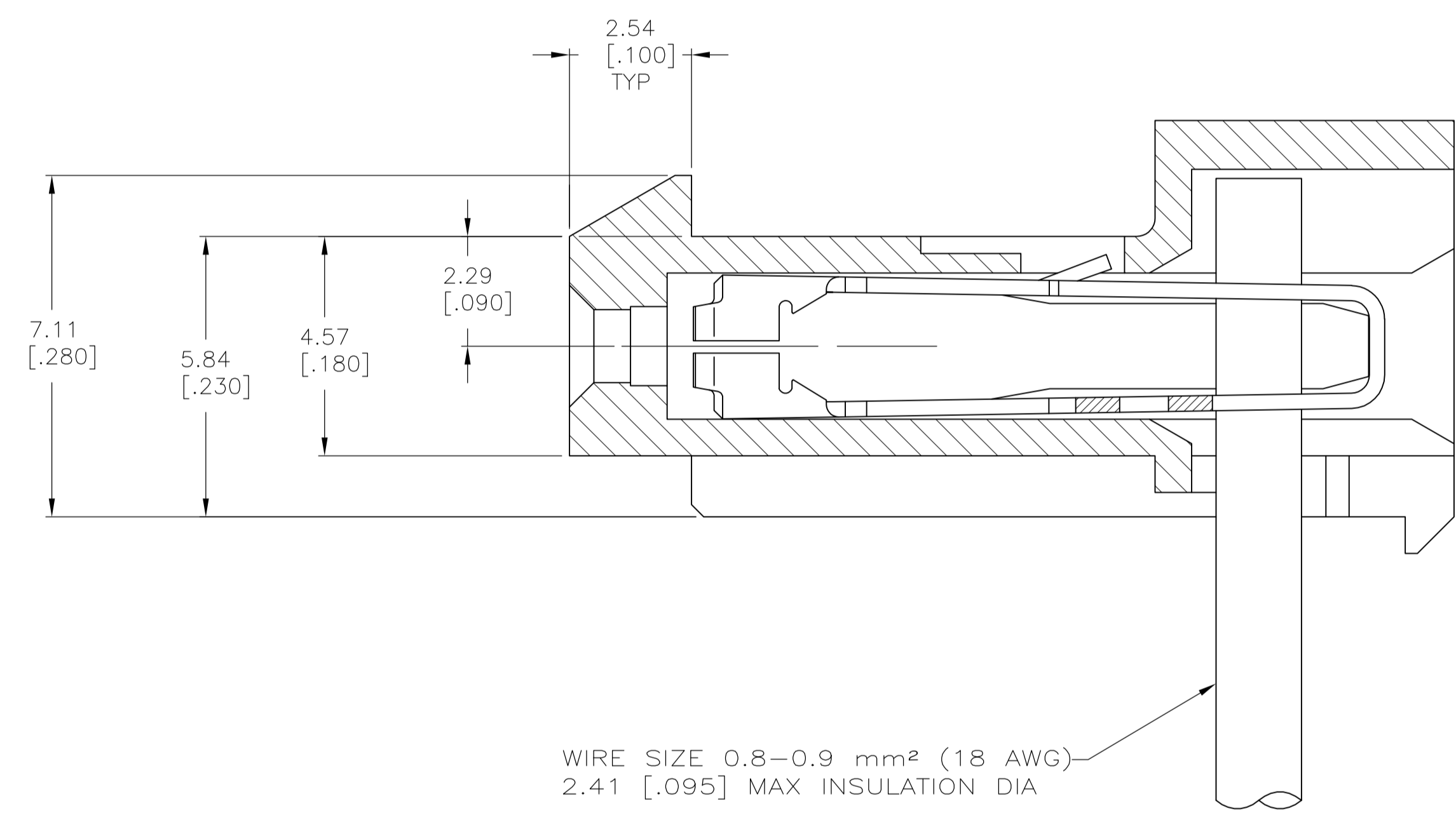


1. OPERATING TEMPERATURE: -55°C TO 105°C
2. MATERIAL: HOUSING, NYLON 6/6, UL 94V-0, BLACK CONTACT, 0.30 [.012] THICK COPPER ALLOY
3. FINISH: BRIGHT TIN-LEAD PLATE 0.00203-0.00508 [.000080-.000200"] THICK OR MATTE WHISKER MITIGATED TIN 0.00203[.000080] MIN THICKNESS OVER NICKEL UNDERPLATE.
4. LUBRICATED WITH AMP ANTI-FRETTING LUBRICANT.
5. IDENTIFICATION NUMBER FOR FIRST CIRCUIT.
6. WIRE GAUGE IDENTIFICATION
7. DIMENSIONS IN BRACKETS ARE IN INCHES.
8. CONTACT MUST ACCEPT 1.14±0.03 [.045±.001] SQUARE POST AND REMAINED LOCKED IN POSITION.



| | | | | | |
|----------|------------|--------------|----|------------|---------|
| TIN | 47.55±0.30 | [1.872±.012] | 12 | 4-644329-2 | |
| TIN | 43.59±0.30 | [1.716±.012] | 11 | 4-644329-1 | |
| TIN | 39.62±0.30 | [1.560±.012] | 10 | 4-644329-0 | |
| TIN | 35.66±0.30 | [1.404±.012] | 9 | 3-644329-9 | |
| TIN | 31.70±0.30 | [1.248±.012] | 8 | 3-644329-8 | |
| TIN | 27.74±0.30 | [1.092±.012] | 7 | 3-644329-7 | |
| TIN | 23.77±0.30 | [.936±.012] | 6 | 3-644329-6 | |
| TIN | 19.81±0.30 | [.780±.012] | 5 | 3-644329-5 | |
| TIN | 15.85±0.15 | [.624±.006] | 4 | 3-644329-4 | |
| TIN | 11.89±0.15 | [.468±.006] | 3 | 3-644329-3 | |
| TIN | 7.92±0.15 | [.312±.006] | 2 | 3-644329-2 | |
| TIN-LEAD | 47.55±0.30 | [1.872±.012] | 12 | 1-644329-2 | |
| TIN-LEAD | 43.59±0.30 | [1.716±.012] | 11 | 1-644329-1 | |
| TIN-LEAD | 39.62±0.30 | [1.560±.012] | 10 | 1-644329-0 | |
| TIN-LEAD | 35.66±0.30 | [1.404±.012] | 9 | 644329-9 | |
| TIN-LEAD | 31.70±0.30 | [1.248±.012] | 8 | 644329-8 | |
| TIN-LEAD | 27.74±0.30 | [1.092±.012] | 7 | 644329-7 | |
| TIN-LEAD | 23.77±0.30 | [.936±.012] | 6 | 644329-6 | |
| TIN-LEAD | 19.81±0.30 | [.780±.012] | 5 | 644329-5 | |
| TIN-LEAD | 15.85±0.15 | [.624±.006] | 4 | 644329-4 | |
| TIN-LEAD | 11.89±0.15 | [.468±.006] | 3 | 644329-3 | |
| TIN-LEAD | 7.92±0.15 | [.312±.006] | 2 | 644329-2 | |
| FINISH | A | | | NO OF CKTS | PART NO |

THIS DRAWING IS A CONTROLLED DOCUMENT. **TYCO ELECTRONICS** Tyco Electronics Corporation Harrisburg, PA 17105-3608

| | | | | | | | | |
|-------------------------|--|------------|-----------|---------------------|-----------|-----------|------------|---------------|
| DIMENSIONS: mm [INCHES] | TOLERANCES UNLESS OTHERWISE SPECIFIED: | 0 PLC ± - | 1 PLC ± - | 2 PLC ± 0.13 [.005] | 3 PLC ± - | 4 PLC ± - | ANGLES ± - | |
| MATERIAL | | FINISH | | WEIGHT | SIZE | CAGE CODE | DRAWING NO | RESTRICTED TO |
| CUSTOMER DRAWING | | SCALE 10:1 | | SHEET 1 OF 1 | REV G | | | |

